

K SERIES

UNIDIRECTIONAL WAFER TYPE KNIFE GATE VALVE WITH COVER

DESCRIPTION

- One-piece cast body with guides to support gate and seat wedges.
- It provides high flow rates with low pressure drops.
- Various constructions materials and seal and stuffing materials available.
- Stainless steel gate.
- Face-to-face distance in accordance with **CMO Valves** standards.
- An arrow is marked on the body indicating the flow direction.

GENERAL APPLICATIONS

This knife gate valve is suitable for liquids that contain a maximum of 5% suspended solids.

Designed for applications such as:

- Mining.
- Chemical plants.
- Pumping.
- Food industry.

SIZES

From DN50 to DN2000.

Other DNs on request.

WORKING PRESSURE (ΔP)

| | |
|--------------|--------|
| DN50-DN150 | 10 bar |
| DN200 | 8 bar |
| DN250-DN300 | 6 bar |
| DN350-DN400 | 5 bar |
| DN450-DN600 | 3 bar |
| DN700-DN1400 | 2 bar |

Other pressures on request.

Indicated work pressures will only be valid following the direction of the arrow marked on the valve. Due to the valve's design with gate support guides, 30% of these pressures can be applied in the opposite direction to the arrow without causing any damage to it. In these circumstances the valve is not watertight. An additional series of supports is necessary in order to achieve tightness in these conditions.

FLANGE DRILLING

- EN1092 PN10.
- ASME B16.5 (class 150).

OTHERS COMMONLY USED

- PN6.
- PN16.
- PN25.
- BS "D" and "E".
- ANSI 150

Others on request.

RESILIENT SEALS

- EPDM.
- NITRILE.
- FKM.
- SILICONE.
- PTFE.

In some applications other types of resilient materials are used, such as hypalon, butile or natural rubber. Please contact us if you have such requirements.

DIRECTIVES

See document of directives applicable to CMO Valves.



*For further information on categories and zones please contact **CMO Valves**. Technical-Commercial Department.*

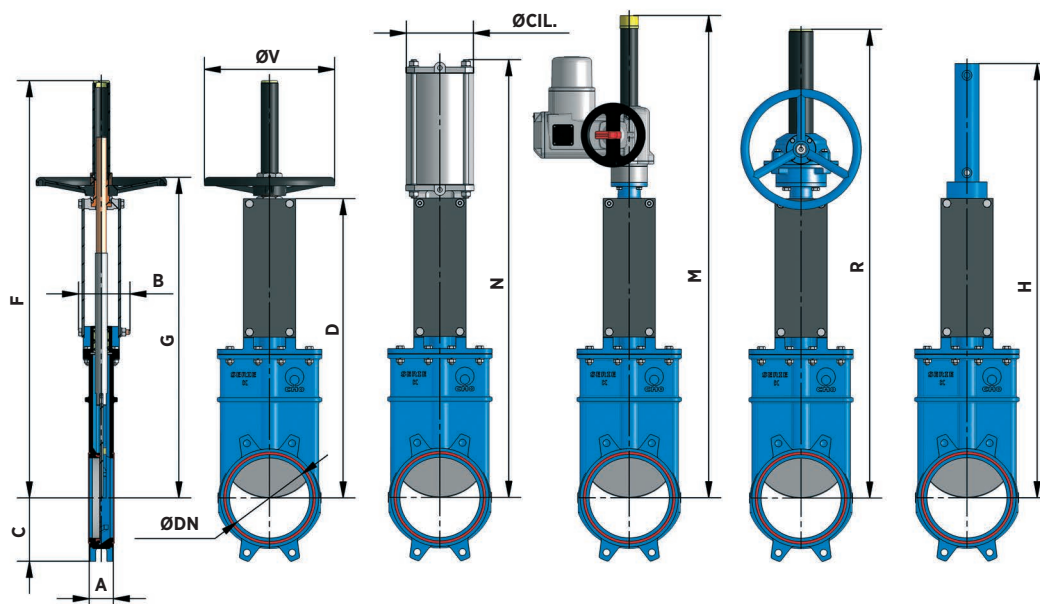
QUALITY DOSSIER

All valves are tested hydrostatically at **CMO Valves** and material and test certificates can be provided.

- Body test = working pressure x 1.5.
- Seal test = working pressure x 1.1.



K SERIES



MANUFACTURING RANGE

DIMENSIONS - K

| DN | A | B | C | D | F | G | ØV | N | ØCIL. | M | R | H |
|------|-----|-----|-----|------|------|------|-----|------|-------|------|------|------|
| 50 | 40 | 92 | 61 | 323 | 501 | 369 | 225 | 502 | 80 | 677 | 631 | 539 |
| 65 | 40 | 92 | 68 | 362 | 539 | 407 | 225 | 555 | 80 | 716 | 669 | 593 |
| 80 | 50 | 92 | 91 | 404 | 583 | 451 | 225 | 614 | 80 | 758 | 713 | 670 |
| 100 | 50 | 92 | 104 | 453 | 630 | 498 | 225 | 684 | 100 | 807 | 760 | 739 |
| 125 | 50 | 102 | 118 | 511 | 740 | 558 | 225 | 786 | 125 | 865 | 820 | 827 |
| 150 | 60 | 102 | 130 | 574 | 801 | 619 | 225 | 872 | 125 | 928 | 881 | 910 |
| 200 | 60 | 119 | 158 | 745 | 1046 | 806 | 325 | 1098 | 160 | 1210 | 1175 | 1146 |
| 250 | 70 | 119 | 196 | 880 | 1277 | 938 | 325 | 1292 | 200 | 1345 | 1307 | 1331 |
| 300 | 70 | 119 | 230 | 1005 | 1401 | 1061 | 380 | 1465 | 200 | 1470 | 1430 | 1524 |
| 350 | 96 | 290 | 255 | 1141 | 1682 | 1250 | 450 | 1724 | 250 | 1649 | 1684 | 1720 |
| 400 | 100 | 290 | 290 | 1266 | 1807 | 1375 | 450 | 1899 | 250 | 1823 | 1809 | 1895 |
| 450 | 106 | 290 | 306 | 1393 | 2034 | 1502 | 450 | 2081 | 300 | 2159 | 2086 | 2111 |
| 500 | 110 | 290 | 340 | 1529 | 2170 | 1638 | 450 | 2267 | 300 | 2298 | 2222 | 2297 |
| 600 | 110 | 290 | 398 | 1782 | 2523 | 1891 | 450 | 2620 | 300 | 2520 | 2475 | 2650 |
| 700 | 110 | 320 | 453 | 2105 | - | - | - | 3087 | 350* | 3000 | 3000 | 3124 |
| 800 | 110 | 320 | 503 | 2376 | - | - | - | 3456 | 350* | 3371 | 3371 | 3495 |
| 900 | 110 | 320 | 583 | 2655 | - | - | - | 3855 | 400* | 3745 | 3745 | 3874 |
| 1000 | 110 | 320 | 613 | 2935 | - | - | - | 4220 | 400* | 4149 | 4149 | 4294 |
| 1100 | 150 | 340 | 670 | 3187 | - | - | - | 4586 | 400* | 4487 | 4487 | 4572 |
| 1200 | 150 | 340 | 728 | 3440 | - | - | - | 4939 | 400* | 4866 | 4866 | 5000 |

No obligation consultation on dimensions and drawings. **CMO Valves** reserves the right to modify them at any time, at its discretion and without prior notice.

Larger sizes on request.

www.cmovalves.com/valves



Visit our website to see the full features of the **K Series**.

FLANGE DRILLING - K

| DN | ΔP (bar) | PN10 | | | | | ASA150 | | | | |
|------|----------|------|----|------|----|------|--------|----|--------|----|--------|
| | | ● | ○ | M | P | ØK | ● | ○ | R UNC | P | ØK |
| 50 | 10 | 4 | - | M 16 | 8 | 125 | 4 | - | 5/8" | 8 | 120,6 |
| 65 | 10 | 4 | - | M 16 | 8 | 145 | 4 | - | 5/8" | 8 | 139,7 |
| 80 | 10 | 4 | 4 | M 16 | 9 | 160 | 4 | - | 5/8" | 9 | 152,4 |
| 100 | 10 | 4 | 4 | M 16 | 9 | 180 | 4 | 4 | 5/8" | 9 | 190,5 |
| 125 | 10 | 4 | 4 | M 16 | 9 | 210 | 4 | 4 | 3/4" | 9 | 215,9 |
| 150 | 10 | 4 | 4 | M 20 | 10 | 240 | 4 | 4 | 3/4" | 10 | 241,3 |
| 200 | 8 | 4 | 4 | M 20 | 10 | 295 | 4 | 4 | 3/4" | 10 | 298,4 |
| 250 | 6 | 6 | 6 | M 20 | 12 | 350 | 6 | 6 | 7/8" | 12 | 361,9 |
| 300 | 6 | 6 | 6 | M 20 | 12 | 400 | 6 | 6 | 7/8" | 12 | 431,8 |
| 350 | 5 | 10 | 6 | M 20 | 21 | 460 | 8 | 4 | 1" | 21 | 476,2 |
| 400 | 5 | 10 | 6 | M 24 | 21 | 515 | 10 | 6 | 1" | 21 | 539,7 |
| 450 | 3 | 14 | 6 | M 24 | 22 | 565 | 10 | 6 | 1 1/8" | 22 | 577,8 |
| 500 | 3 | 14 | 6 | M 24 | 22 | 620 | 14 | 6 | 1 1/8" | 22 | 635 |
| 600 | 3 | 14 | 6 | M 27 | 22 | 725 | 14 | 6 | 1 1/4" | 22 | 749,3 |
| 700 | 2 | 16 | 8 | M 27 | 22 | 840 | 20 | 8 | 1 1/4" | 22 | 863,6 |
| 800 | 2 | 16 | 8 | M 30 | 22 | 950 | 20 | 8 | 1 1/2" | 22 | 977,9 |
| 900 | 2 | 20 | 8 | M 30 | 20 | 1050 | 20 | 12 | 1 1/2" | 20 | 1085,9 |
| 1000 | 2 | 20 | 8 | M 33 | 20 | 1160 | 24 | 12 | 1 1/2" | 20 | 1200,2 |
| 1200 | 2 | 20 | 12 | M 36 | 22 | 1380 | 26 | 18 | 1 1/2" | 24 | 1422,4 |

Larger sizes on request.

- Threaded holes.
- Through holes.

