



**CMO VALVES**  
manufacturing the valve you need

# 27A SERIES



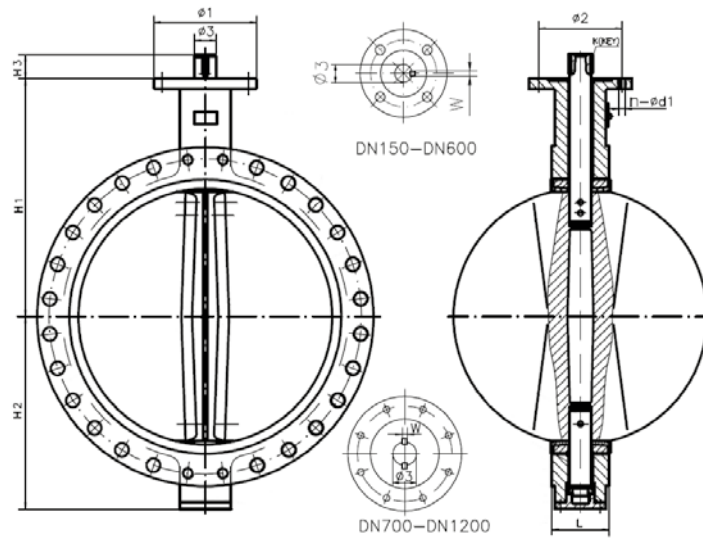
## FABRICATION RANGE *DOUBLE FLANGE BUTTERFLY VALVES*

### UTILIZATION:

- Double flange butterfly valve used for regulation and flow sectioning in water supply facilities, plumbing, irrigation, etc.
- It has low head loss due to a hydrodynamic design of the disc, it is 100% water tight and need no gaskets to be installed.

# SERIES - 27

## DOUBLE FLANGE BUTTERFLY VALVES



NOTE: DN150-DN800 ONE PIECE STEM.  
DN900-DN1200 TWO PIECE STEM.

### DIMENSIONS

DN	1	2	3	n-d1	L	H1	H2	H3	W	Weight
150	90	70	18.92	4-10	56	229	139	28	5	15,2
200	125	102	22.1	4-12	60	260	175	38	5	29,0
250	125	102	28.45	4-12	68	292	203	38	8	39,0
300	125	102	31.6	4-12	78	337	242	38	8	49,0
350	150	125	31.6	4-14	78	368	267	45	8	64,0
400	175	140	37.95	4-18	102	400	325	60	10	126,9
450	175	140	42.86	4-18	114	422	345	60	12	152,9
500	175	140	45.72	4-18	127	480	378	75	14	186,9
600	210	165	53.98	4-22	154	562	475	75	16	270,4
700	300	254	63.35	8-18	165	624	535	75	18	439,0
800	300	254	70	8-18	190	672	606	75	20	569,0
900	300	254	80	8-18	203	720	670	110	22	818,0
1000	300	254	90	8-18	216	800	735	135	25	918,0
1200	350	298	105	8-22	254	940	878	150	28	1402,0

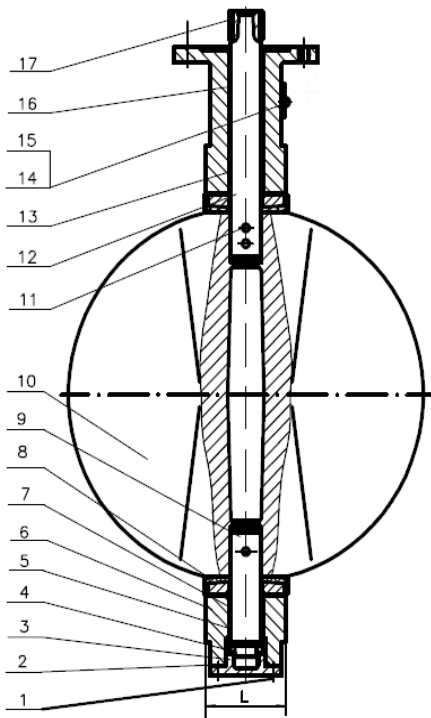


**CMO VALVES**  
manufacturing the valve you need

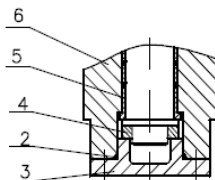
Amategui Aldea, 142 - 20400 Tolosa - Guipuzcoa (Spain)  
(+34) 943 67 33 99 - [cmo@cmovalves.com](mailto:cmo@cmovalves.com) - [www.cmovalves.com](http://www.cmovalves.com)

# SERIES - 27

## DOUBLE FLANGE BUTTERFLY VALVES



THE SCHEMATIC SKETCH OF BODY BOTTOM



### DESCRIPTION

1	BOLT	8.8 STEEL
2	O-RING	NBR
3	END COVER	GJS400
4	GASKET	BRASS
5	LOWER BUSHING	LUBRICATING BRONZE
6	BODY	GJS400
7	O-RING	NBR
8	SEAT	EPDM
9	LOWER STEM	AISI 420
10	DISC	CF8M
11	TAPER PIN	AISI 420
12	UPPER STEM	AISI 420
13	UPPER BUSHING	LUBRICATING BRONZE
14	PLATE	AISI 304
15	PLATE RIVETS	ALUMINUM
16	BUSHING	LUBRICATING BRONZE
17	KEY	ASTM A29
	PAINTING RAL 5015	Epoxy 250 $\mu$ m

The images and drawings are non contractual.  
The specifications of the shown products could vary without previous notice.

### GENERAL FEATURES:

- Low head loss.
- Vulcanized seat that avoids the contact between fluid and cast iron, avoiding corrosion and damages.
- 100% water tight.
- Bidirectional flow.
- Polished disc borders to avoid damage in the seat.
- No gaskets needed for installation.
- Max. working pressure according to design pressure PN10/16.
- Working temperature between -10°C and 90°C.

### STANDARDS APPLIED:

- Hydrostatic tests according to EN 12266-1, class A.
- EC directive.
- Side flanges according to ISO 7005-2.
- Distance between flanges according to EN 558 series 20.
- Top flange according to ISO 5211.